

## Operation Instruction

This product contains three nozzle tips with different inner diameter size. Red tip is 4mm, blue tip is 3mm and green tip is 2mm. The different size of the nozzle tips is for controlling the air flow volume so as to set up the muzzle velocity needed.

Muzzle velocity data range tested with WE M4 GBB (inner barrel 370mm)/0.2g bb/green gas:

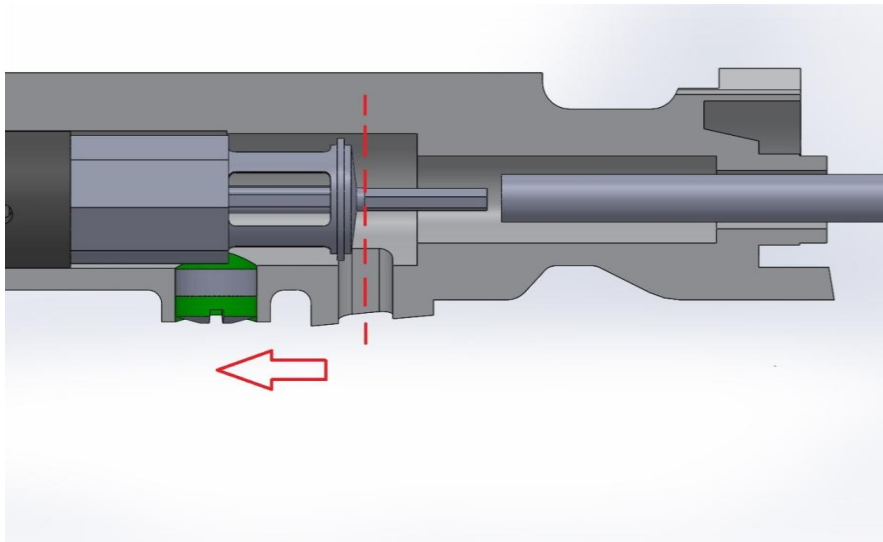
Red tip 0-145 m/s (approx. 475 fps)

Blue tip 0-125 m/s (approx. 410 fps)

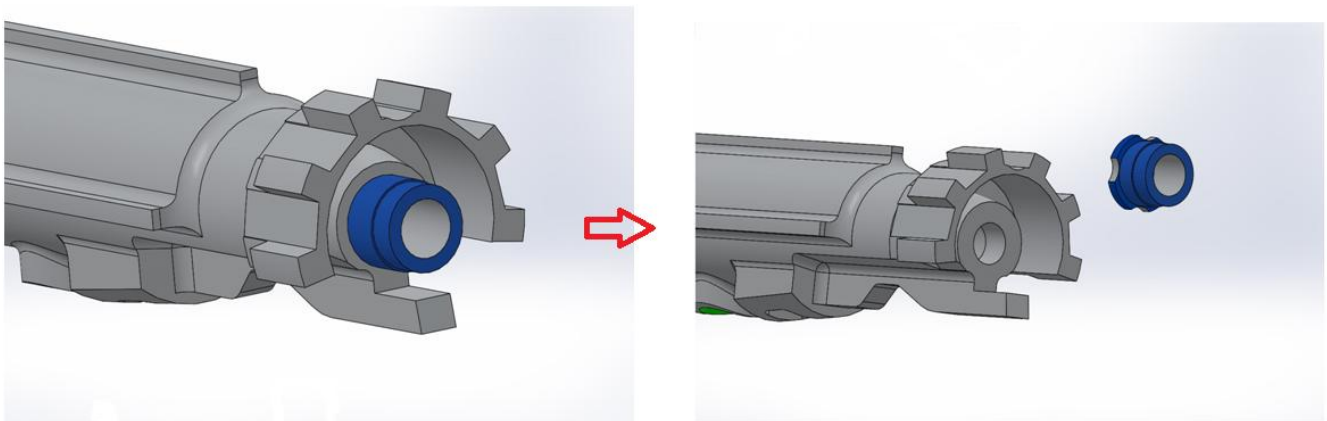
Green tip 0-95 m/s (approx. 312 fps)

### How to set up the velocity for the best performance?

We recommend maintain the flute valve in the position of back half of the air intake port (behind the red line in below picture) for slight tuning to acquire stable velocity.

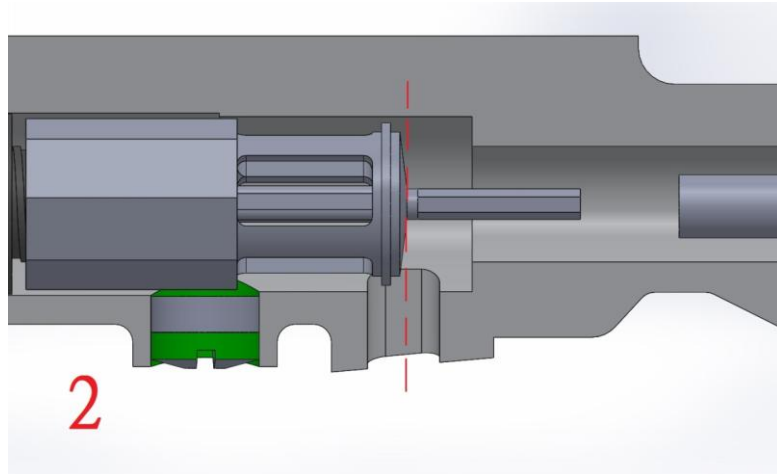
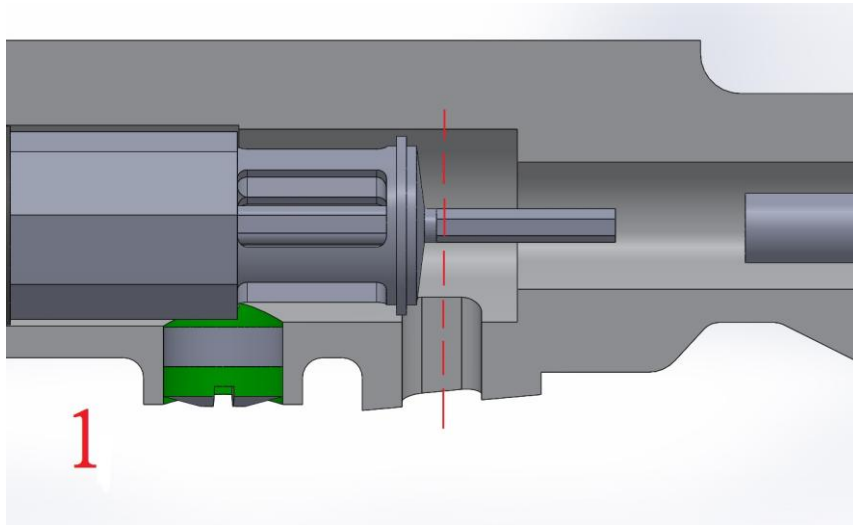


Use the appended tool to tune up (clockwise) or tune down (counter clockwise) for higher or lower velocity. The appended tool can be directly used only on the red tip. When the blue/green tip is mounted, please take off the nozzle tips first to use the tool for adjustment because the inner diameter of blue/green tips is too small for the tool.



## How to make adjustment to the velocity required?

If you install the red tip and keep the valve full open for velocity 150 m/s (as photo 1) and you want to lower the velocity to 135 m/s, tune the flute valve counter clockwise (as photo 2).



If you tune to 120 m/s with the red tip and find the read is not stable (e.g. velocity varies a lot between shots). We suggest exchange with blue tip and keep the flute valve in the back half position.